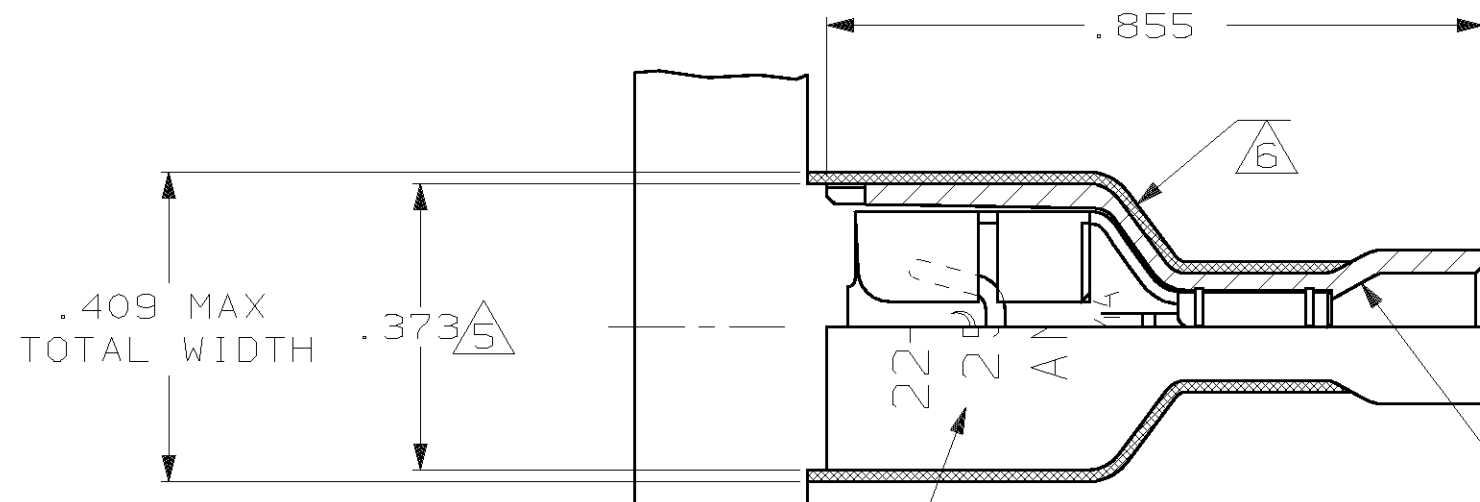
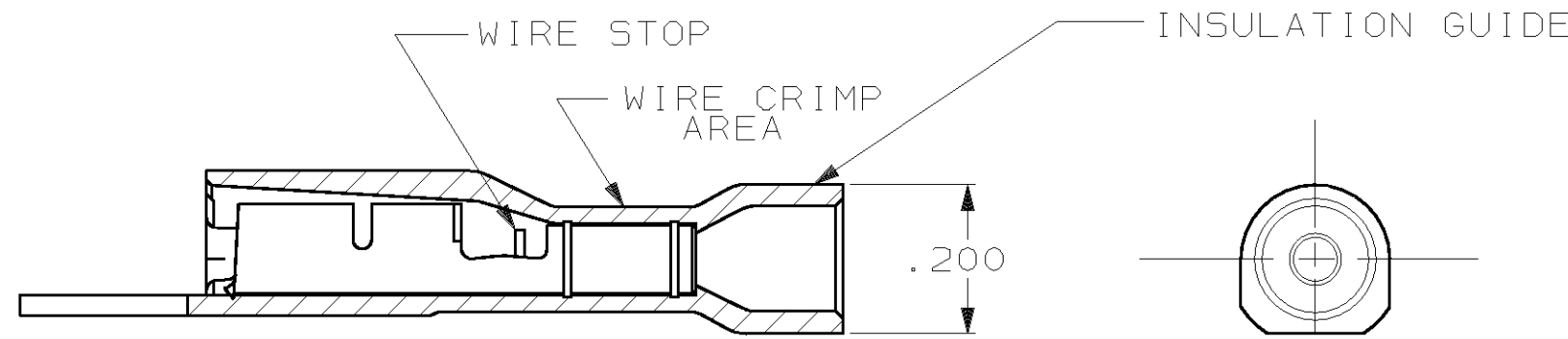
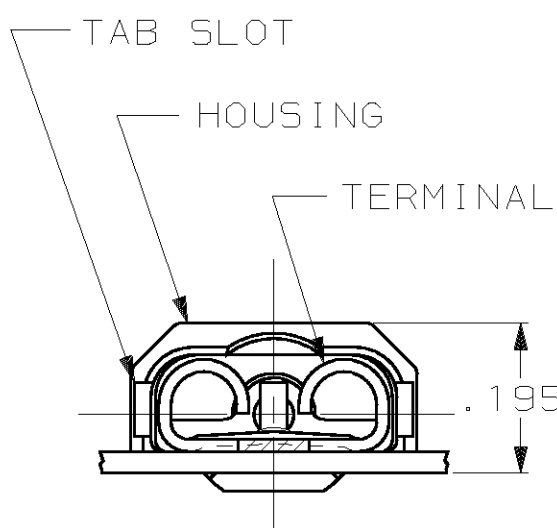


THIS DRAWING IS UNPUBLISHED. RELEASED FOR PUBLICATION, 19  
 © COPYRIGHT 19 BY AMP INCORPORATED. ALL INTERNATIONAL RIGHTS RESERVED.

LOC	DIST	P	F	REVISIONS				DATE	APPD
AF	50			ZONE	LTR	DESCRIPTION			
					P	REVISED PER 0G3A-0648-02	24OCT02	MF JH	



- 1 MATES WITH .032±.001×.250 TAB
- 2 WIRE STRIP LENGTH .281
- 3 INSULATION SIZE .135 MAX DIA
- 4 CONTINUOUS STRIP ON REELS
- 5 DIMENSION DOES NOT INCLUDE TRIM BURR
- 6 .015 MAX CARRIER TRIM BURR PER SIDE IS ALLOWABLE IN THE SHADED AREA



STANDARD	HOUSING: NYLON, COLOR-BLACK RECEPTACLE: #3 HARD BRASS, TIN .000080 MIN	9-520183-2
BULK	HOUSING: NYLON, COLOR-RED TRANSLUCENT RECEPTACLE: #3 HARD BRASS, TIN .000080 MIN	5-520183-2
STANDARD	HOUSING: NYLON, COLOR-RED TRANSLUCENT RECEPTACLE: #3 HARD PH BRONZE, TIN .000080 MIN	2-520183-4
	HOUSING: NYLON, COLOR-RED TRANSLUCENT RECEPTACLE: #3 HARD BRASS, TIN .000080 MIN	2-520183-2

PACKAGING	MATERIAL & FINISH	PART NO
DO NOT SCALE PRINT. UNLESS SPECIFIED DIMENSIONS IN INCHES TOLERANCES ON: 2 PLC DEC ± - 3 PLC DEC ± .015 ANGLES ± -	DR 10/18/88 P FORTNEY CHK 10/18/88 JR RUTH APPD 10/21/88 K RANDOLPH APPD 10/21/88 TL SHUTTER PRODUCT SPEC 108-2043 APPLICATION SPEC 114-2123 WEIGHT -	AMP INCORPORATED Harrisburg, Pa. 17105 NAME RECEPTACLE ASSY, ULTRA-FAST, .250 SERIES, 22-18 AWG SIZE <b>B</b> FSCM NO 00779 DRAWING NO 520183 SCALE 4:1 SHEET 1 OF 1
MATERIAL SEE TABLE		
FINISH SEE TABLE		